

The image features a yellow triangular shape in the top right corner. The background is primarily white, with a dark teal shape on the left side. A large, stylized green leaf with a grid-like pattern is positioned in the lower half of the page. The SCHLETTER logo is located in the top right corner, with the tagline 'The Solar Mounting Group' below it.

**SCHLETTER**  
The Solar Mounting Group

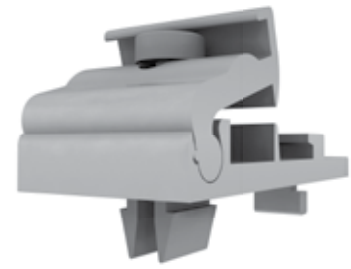
# RAPID CROSS CONNECTOR

PRODUCT SHEET

# Rapid cross connector

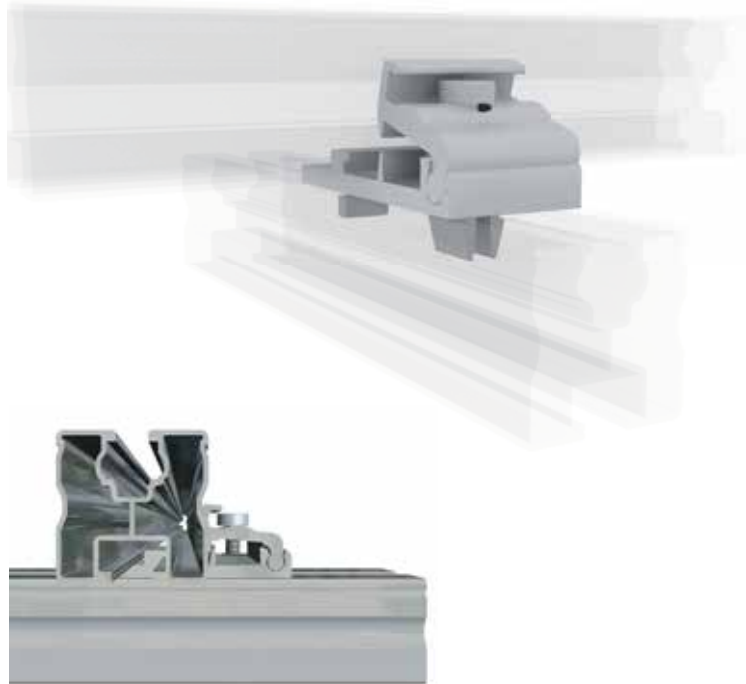
The convenient way to connect overlapping rails

- Economically priced, quick and safe
- Can be assembled from above
- No additional tools required



The **Rapid cross connector** can be fastened to any rail which has a Schletter-Klick channel M8. One central fastening point with a single bolt guarantees quick assembly. The distribution of forces is structurally optimized by the new hook-in and clamp technique, to ensure that profiles cannot be twisted due to unsymmetrical loads.

All benefits of the Rapid system can now also be leveraged by the cross rail system!



① Hook in laterally and twist.



② Click in!



③ Position the rail and bolt together from above.

Contrary to its predecessor, the **Rapid cross connector** (item no. 129063-000) is delivered completely pre-assembled, thus keeping the assembly effort to a minimum.

Further information at: [www.schletter-group.com](http://www.schletter-group.com)

**SCHLETTER SOLAR GMBH**

Alustrasse 1  
83527 Kirchdorf  
GERMANY

[www.schletter-group.com](http://www.schletter-group.com)

