

Proklip-Multi8

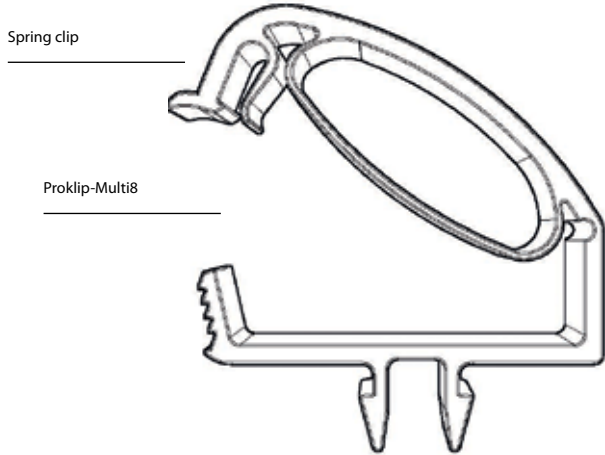
Mounting Instruction

Item No.: 129065-008

Press clip into the Klick- or screw channel M8. Comprises a spring-clip cable retainer for tidy routing of cables

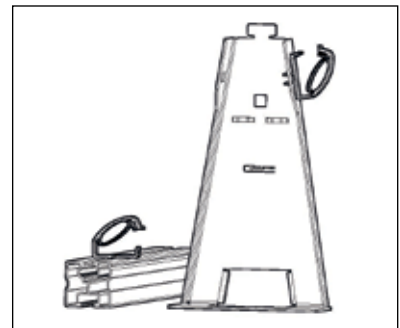
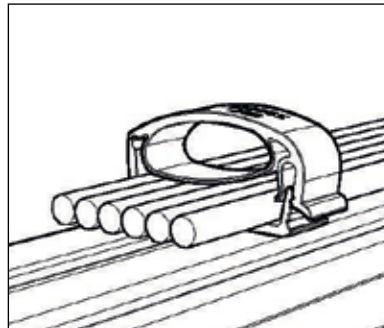
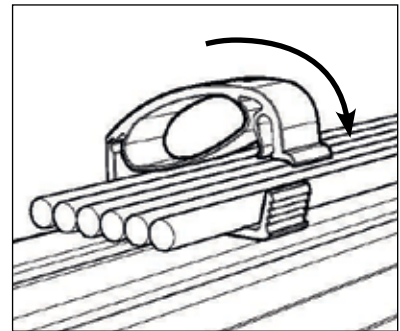
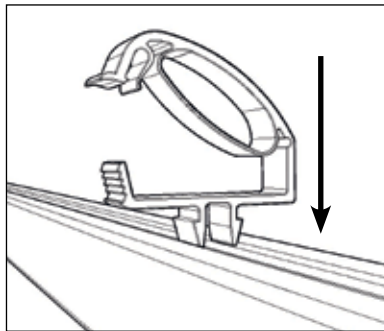
Can contain and fasten approx. 6 cables*

*assuming 6mm diameter cables with core of 6mm²



Mount cable clip

- Position cable clip on the Klick- or screw channel or at the designated opening
- Insert cable clip by pushing firmly into the duct
- Run cable/s through the retainer and close the spring clip



Compatible with rails:

Klick- or screw channel M8, module bearing rail S, module bearing rail Solo05, Profi05, Profi-Plus05 and Eco05, FixZ7, FixZ15, AluGrid100 supports, AluGrid and AluLight Windsafe sheets

Compatible with systems:

AluGrid (all systems), FixZ7, FixZ15, System FS, Carport, special projects

For further information relating to our systems, please refer to our website: www.schletter.eu and go to the download area.