

Proklip-Multi10

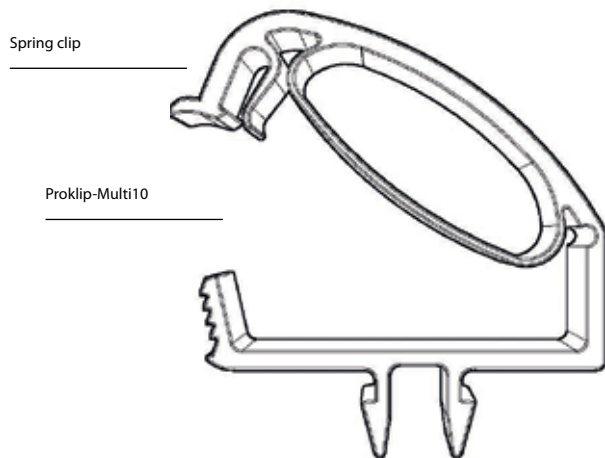
Mounting Instruction

Item No.: 129065-010

Press clip into the Klick- or screw channel M10. Comprises a spring-clip cable retainer for tidy routing of cables

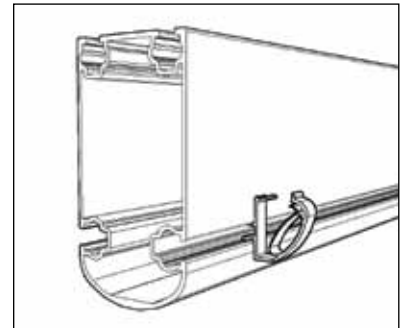
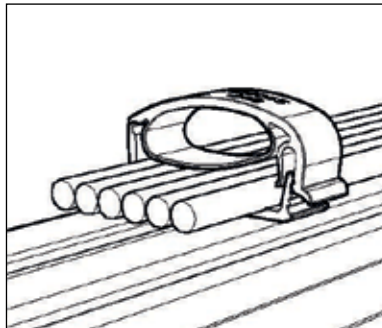
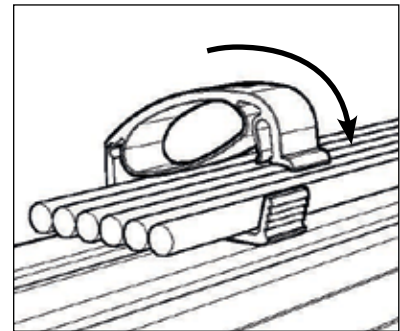
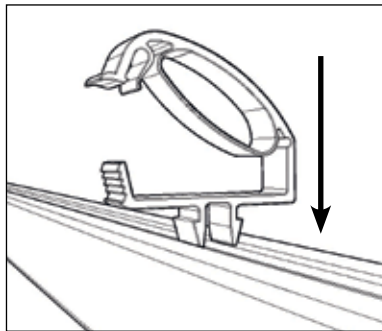
Can contain and fasten approx. 6 cables*

*assuming 6mm diameter cables with core of 6mm²



Mount cable clip

- Position cable clip on the Klick- or screw channel or at the designated opening
- Insert cable clip by pushing firmly into the duct
- Run cable/s through the retainer and close the spring clip



Compatible with rails:

BF-girder, T-girder, Klick- or screw channel M10

Compatible with systems:

FS (all variants), IsoTop, PvMax3, Special projects

For further information relating to our systems, please refer to our website: www.schletter.eu and go to the download area.