

SCHLETTER

The Solar Mounting Group

ISOTOP TR

PRODUCT SHEET



ISOTOP TR

THE SYSTEM EXTENSION FOR INDUSTRIAL FOIL ROOFS

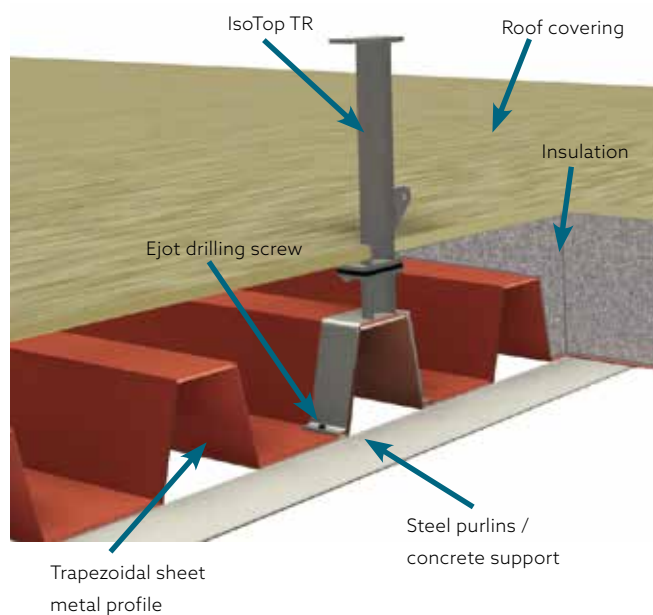
- Optimization of the support design
- No added load to the roof covering
- Minimal installation time and cost
- Direct load transfer to the building's support structure
- No need to cut the trapezoidal sheet metal
- 10-year warranty

The IsoTop TR system was specially developed for industrial foil roofs that have trapezoidal sheet metal profile as an inner support shell. The system is a further development of the basic IsoTop system.

Often, neither the insulating layer of these roofs, nor the trapezoidal sheet metal profile, has adequate load reserves to take on the added stress of the photovoltaic system. The IsoTop TR therefore also diverts the loads to the bearing structure underneath the trapezoidal sheet metal shell. This eliminates additional stress to the insulating level and the trapezoidal sheet metal profile.

The IsoTop TR system consists of a stainless-steel pipe, which transfers the loads from the photovoltaic system to a welded-on or screwed-on trapezoidal sheet metal shoe. The geometry of the trapezoidal sheet metal shoe can be adapted individually to the shape of the trapezoidal sheet metal shell. IsoTop TR's positioning is adjusted to the support structure distances of the specific building. The special screws create the connection between the support and the load-bearing components of the building.

SECTIONAL VIEW

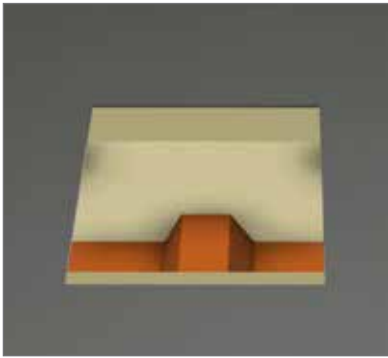


Generally, the structures are optimized so that only a few fastening points need to be provided, at large distances. IsoTop TR's precise geometry eliminates the need to open the trapezoidal sheet metal shell – therefore, work on the trapezoidal sheet metal is no longer required for installation. Using the customer checklist, IsoTop TR can be measured for statics and prepared for the individual roof conditions. It is delivered to the construction site unassembled.

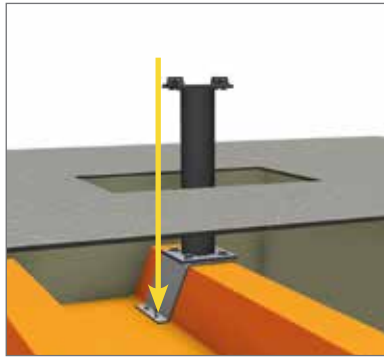
INSTALLATION

IMPORTANT INSTRUCTIONS

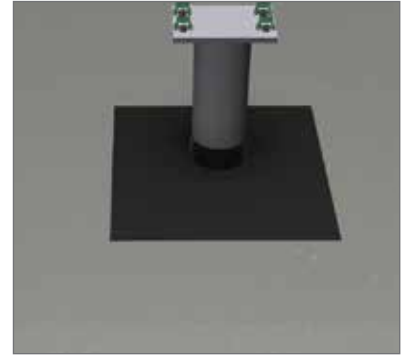
- It must be checked with the customer whether the building's support structure can handle the additional load of the photovoltaic system.
- For special conditions (maritime, swimming pool areas, industrial exhausts), corrosion-resistant materials must be used, depending on the situation.
- The places where IsoTop TR penetrates the roof covering must be sealed on site according to the flat roof guideline.



u Opening of roof film and insulation



v Positioning of IsoTop TR and screwing to the support structure



w Reinstallation of insulation and proper closing of the roof covering

Material	Stainless steel V 1.4301
Construction	Maximized spans for the module's support structure Individual adaptation for introduction of the trapezoidal sheet metal shell's direct load to the building's support structure No stress on the insulation layer or trapezoidal sheet metal shell
Statics calculation	Measurement of self-weight, snow loads and wind according to DIN EN 1991 (EC1) Steel measurement according to DIN EN 1993 (EC3) Building approval of stainless steel Static determination of the number of self-drilling screws for fastening IsoTop TR
Production and delivery	Available as a system module or custom construction using the IsoTop checklist and a complete module layout plan Maximum prefabrication Use of standard materials Optimized packaging units and delivery to the construction site

For individual inquiries, our team is happy to assist you!

For more information, see www.schletter-group.com

SCHLETTER SOLAR GMBH

Alustraße 1
83527 Kirchdorf
GERMANY

www.schletter-group.com

