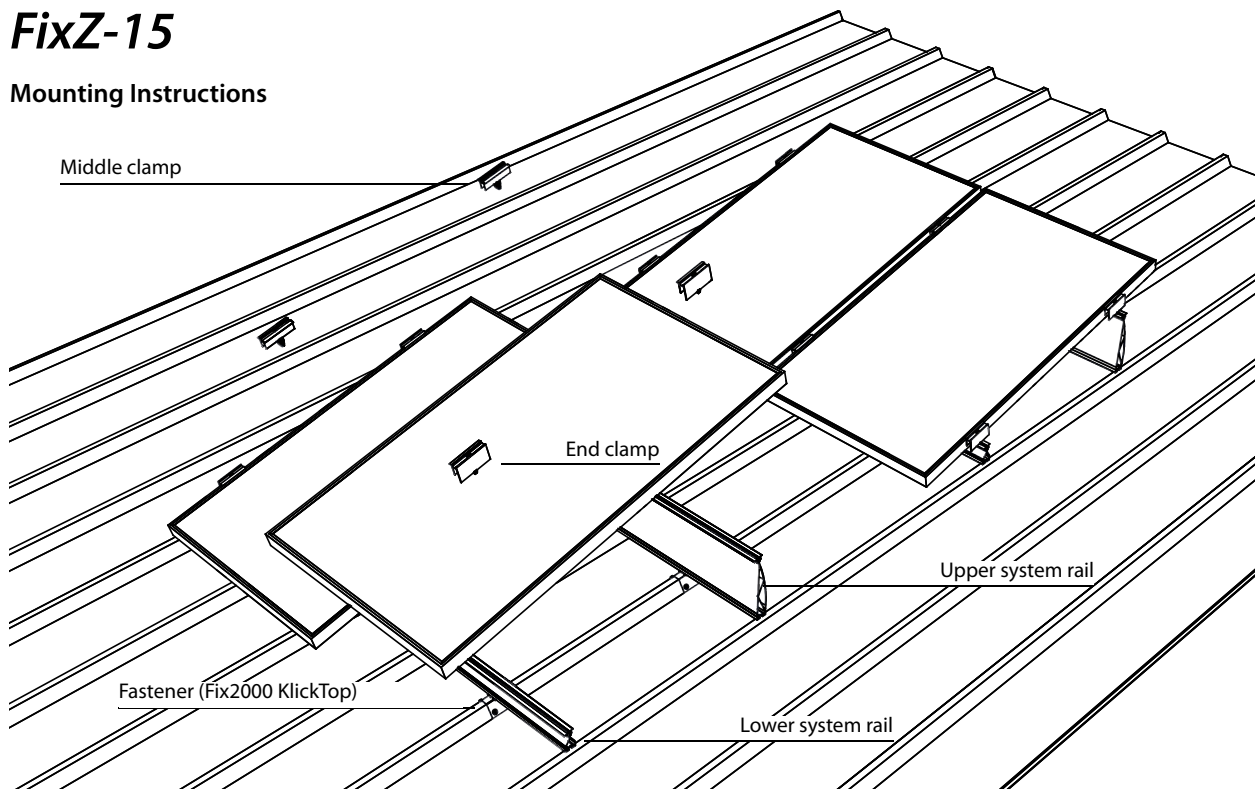


FixZ-15

Mounting Instructions



Required tools

Screwdriver with bits and socket wrench
 Bit T40
 Bit hex-head 6-spanner
 Socket wrench 8-spanner

Corresponding tools
 for the selected fasteners



The Schletter tool kit
 comprises tools required for
 all standard systems.

Additional documentation

Structural analysis
 Analysis print-out with schematic diagram
 from the plant calculation

Safety precautions



Planning, mounting and start-up of the solar plant must be performed by qualified personnel only. Improper execution can result in damage to the plant and to the building and can present a risk to people.



Risk of falling! There is a risk of falling when working on the roof as well as when ascending and descending the building. Accident prevention regulations must be observed and appropriate safety equipment must be used.



Risk of injury! Objects falling from the roof can cause injury to people. The danger area around the installation site must be blocked off and persons in the vicinity must be warned of the risks.



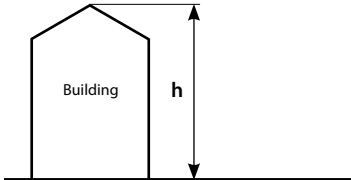
Risk of breakage! PV modules can be damaged if stepped upon.



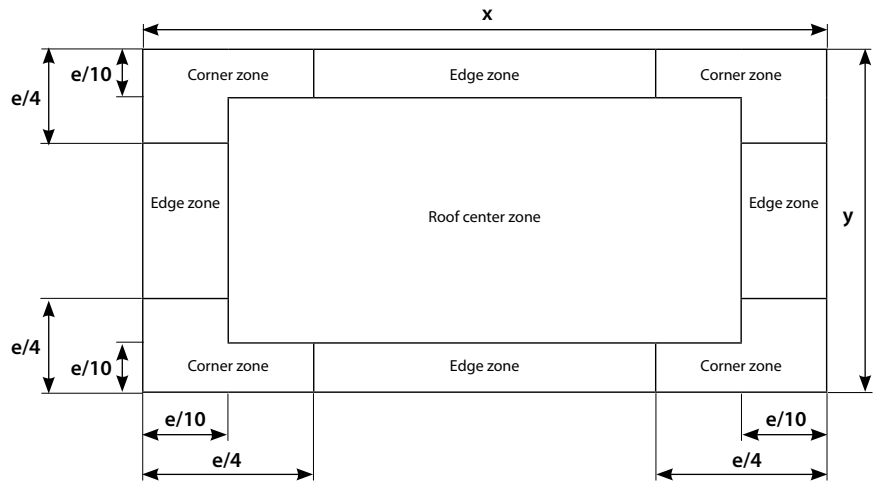
Risk of electric shock! The mounting and maintenance of the PV modules must be carried out by qualified personnel only. Please observe the safety regulations issued by the solar module manufacturer!

1 Defining the area of installation

- Concentrate the number of fasteners in the edge and corner zones.
- Further recommendations are provided in the structural analysis.

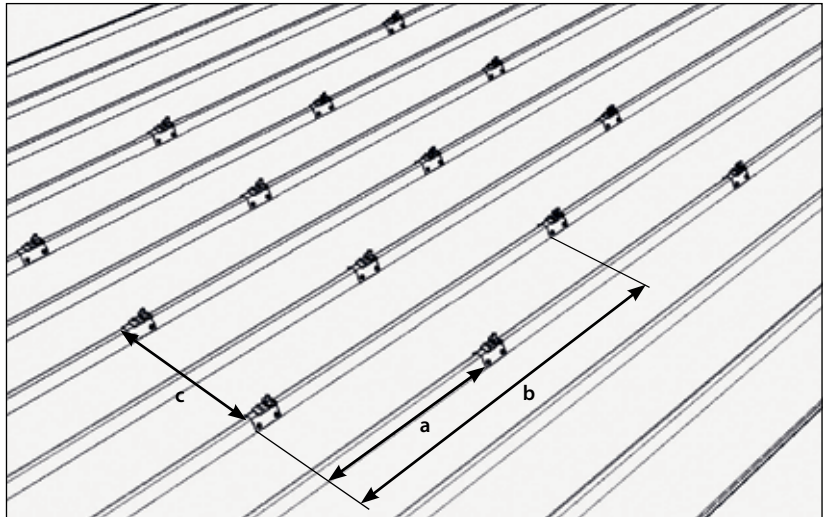


Calculation formula:
 $e = \min(x \text{ resp. } y \text{ or } 2 \cdot h)$

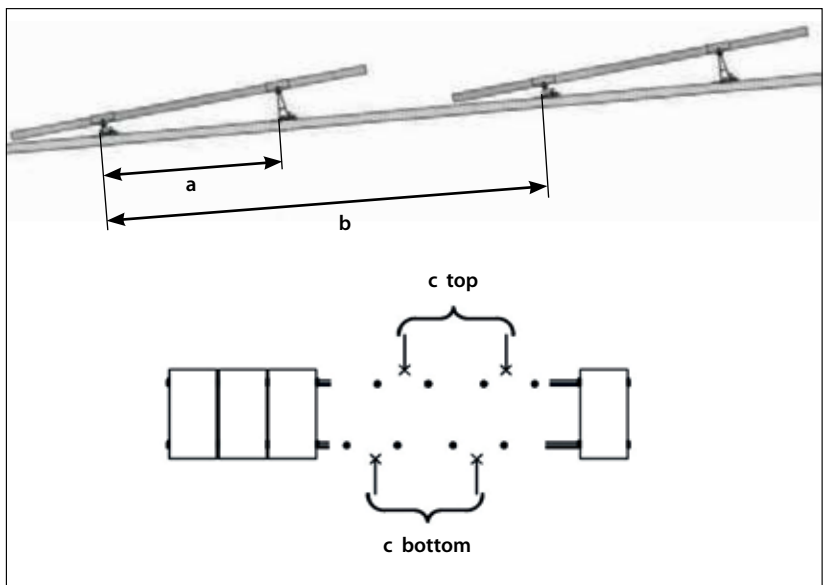


2 Mounting the fasteners

- Select corresponding distance between fasteners **a** for the respective module. The exact dimensions are displayed in the Autokalkulator schematic diagram of your plant configuration.
- Please observe shading distances **b** between rows - also visible in the schematic diagram.
- The distance between fasteners **c** must comply with the structural analysis for fasteners - and is also displayed in the schematic diagram.
- Further recommendations are provided in the structural analysis (for fasteners).

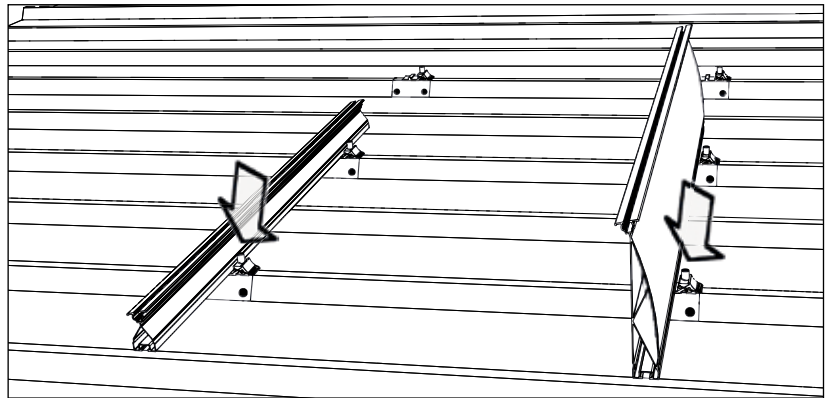


! The number of fasteners required is also dependent upon the properties of the roof - please verify details with the manufacturer!



3 Mounting the system rails

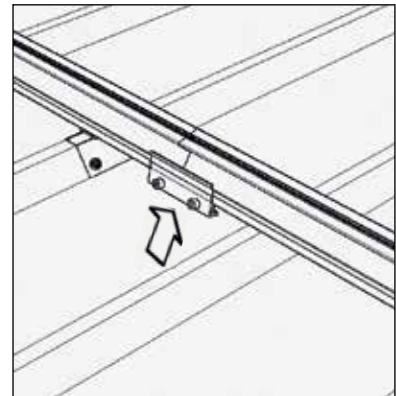
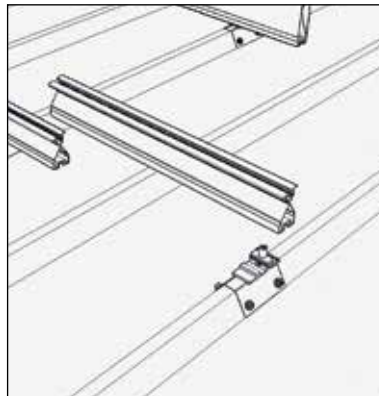
- Mount system rails on the fasteners - in our example: Hook in to the KlickTop attachment and secure with a 6-Lobe screw (T40).



4 Extending the lower system rail

- Position next rail.
- Mount the E connector from below.
- Tighten the pre-assembled 6-spanner screws.

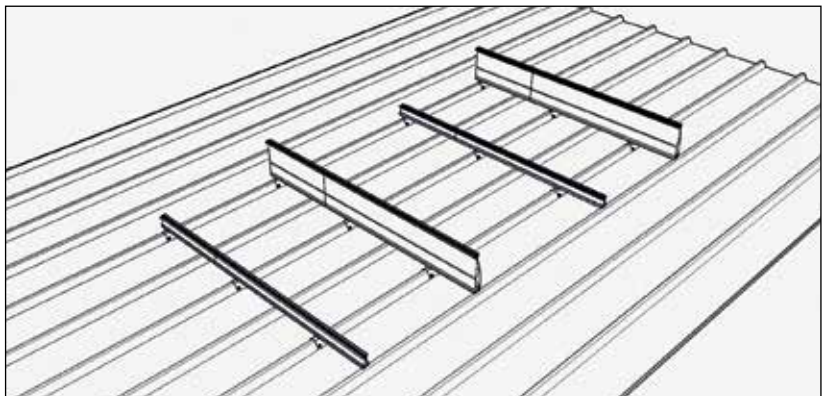
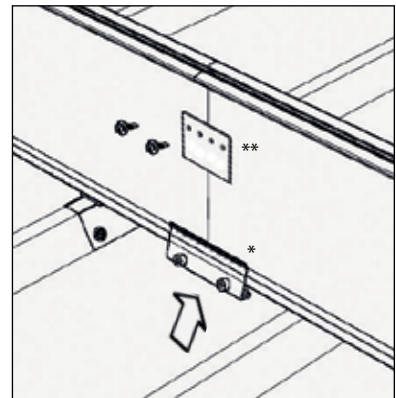
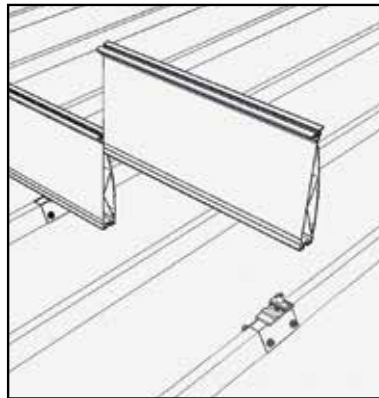
⚠ Please make sure that sufficient space is left for the connector at rail joints.



5 Extending the upper system rail

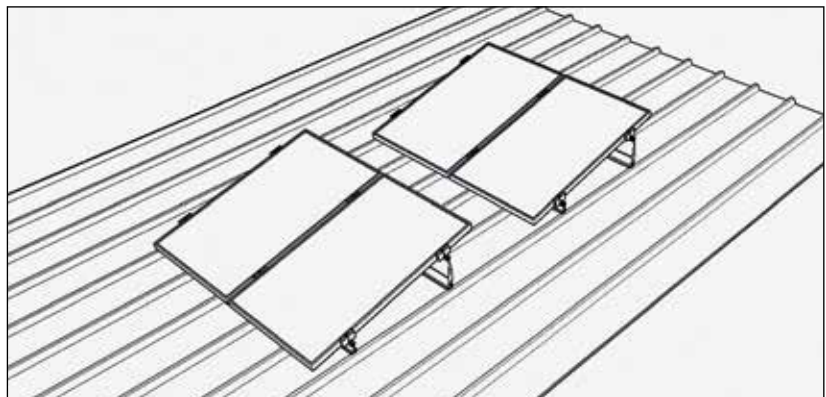
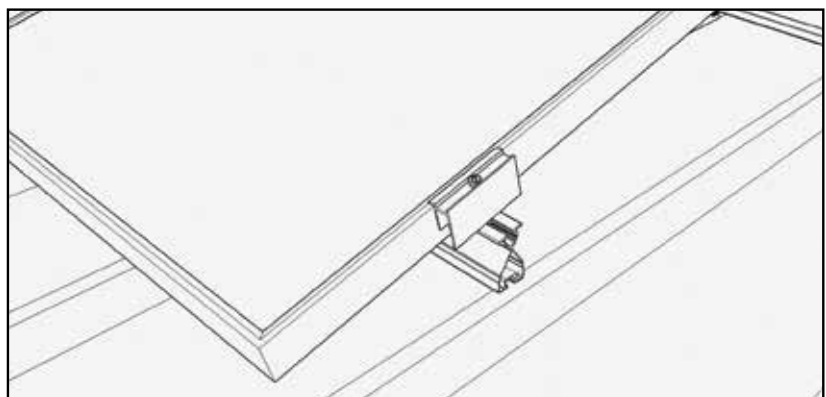
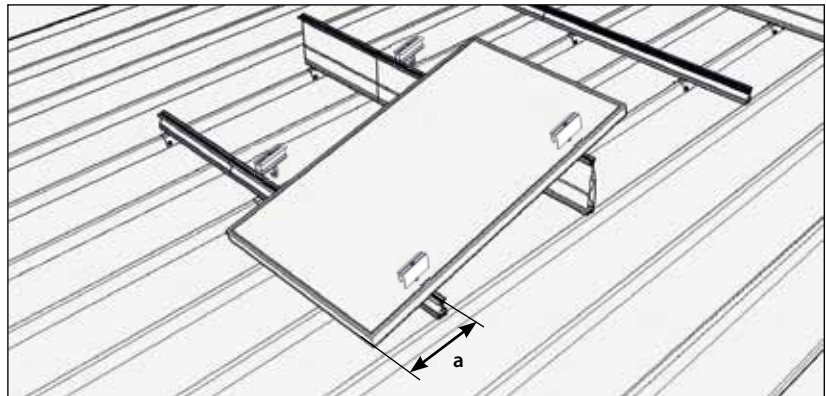
- Position next rail.
- Mount the E* connector from below.
- Tighten pre-assembled hexagon socket head screws.
- Position the additional connector plate** against the inner side of the rail.
- Fasten each with a self-drilling screw (8-spanner) per rail end.

⚠ Please make sure that sufficient space is left for the connector at rail joints.



⑥ Mounting the module

- Position the first module flush with the end of the rail, then observe the indentation distance **d** (c.f. Autokalkulator schematic diagram and information issued by the manufacturer)
- Fasten module with two end clamps - in our example: click in the Rapid end clamps and tighten the 6-Lobe screws (T40).
- Connect the module cables as required.
- Position further modules and secure each between the modules with two middle clamps.
- Secure the last module of the row with two end clamps.



For further information relating to our systems, please visit our website: www.schletter.eu under "Downloads" in the "Solar Mounting" section.