



First Solar FS Series 4 Module Clip Compatibility

Compatibility of Schletter Eco6-S4 module clip with FS Series 4 Modules

Mounting clips used with First Solar FS Series 4 module laminates must comply with the minimum technical and mechanical requirements for mounting systems required by First Solar (as described in First Solar document PD-5-320-04). In addition, the clip must satisfy the requirements of the First Solar mechanical load Test according to procedures defined in IEC61646 Ed. 1 10.15/16.

The Schletter Eco6-S4 module clip in conjunction with FS Series 4 module laminates has successfully met the First Solar mechanical load test. The proposed mounting clip design in conjunction with FS Series 4 module laminates also meets the technical requirements concerning clip design that are specified in document PD-5-320-04 (see Figure 1 and Figure 2 below).

Therefore, the Schletter Eco6-S4 module clip in conjunction with FS Series 4 module laminates is approved for use as long as the mounting system complies with First Solar's technical and mechanical requirements for mounting systems, as described in document PD-5-320-04.

Clip Length: 70mm

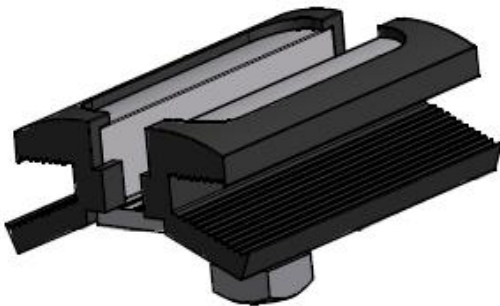


Figure 1: 133264-168 Eco6-S4 Middle Clamp

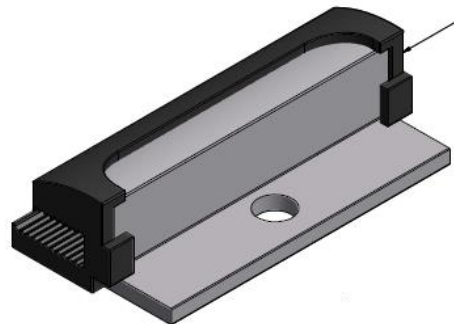


Figure 2: 133164-168 Eco6-S4 End Clamp

Timo Moeller
Global Director – Customer Support Services