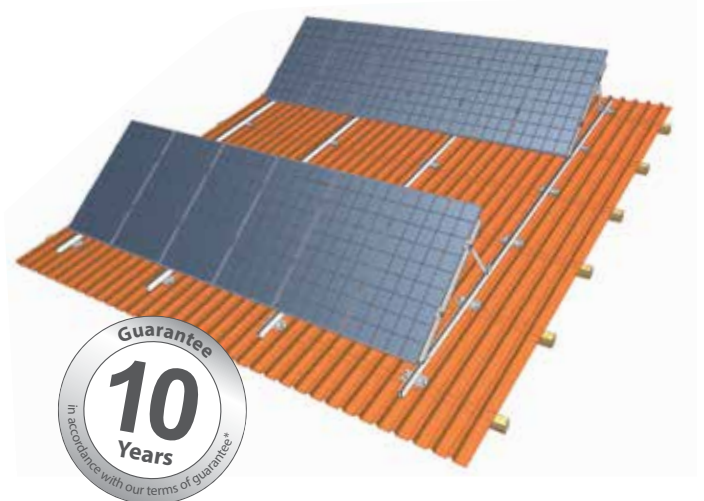


CompactVario

The flexible elevation for (almost) any span width

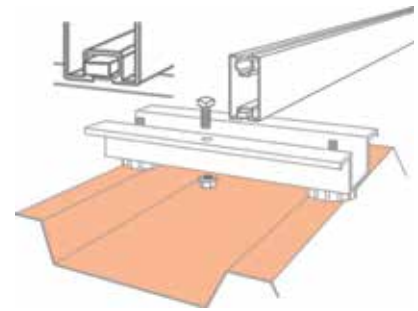
- Can be mounted swiftly and easily
- Program-generated structural analyses
- Optimum load transfer even with big purlin distances



Description

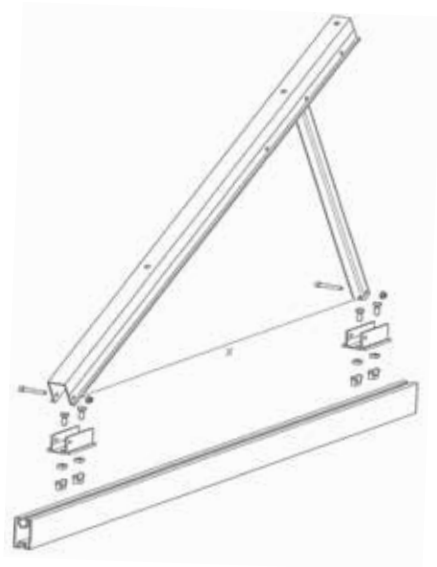
The fastening system Schletter CompactVario is a very flexible elevation system for the area of flat roofs and pitched roofs, especially to bridge bigger purlin distances.

As distribution girders in north-south-direction a complete series of double groove profiles from DN0 to DN2.5 is available, so that for any case of assembly, respectively for any span width, the most economic solution can be assembled. The design of this construction is designed in such a way that no drillings at all have to be made on the construction site! A wide range of fastening elements for different roof systems is available. Please also consider our product sheets FixT (trapezoidal und sandwich roofs), FixE (Eternit roofs), for example.



Application hints

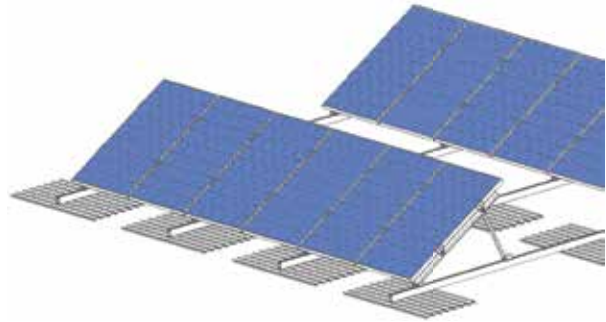
The base profile (DN) has grooves. In this case the lower groove is used for the connection to the connector (sheet metal clamps, FixT, FixE, Fix 2000, etc.). The fittings for support fixation are mounted at the upper groove. The fastening of the modules is carried out with the usual components from our unit assembly system.



*The terms of guarantee can be referenced at www.schletter.de/AGB_en

Fastening by loading

Flat roof plants that are designed without a perforation of the roof covering have to be secured by sufficient loads against wind suction, tilting and sliding. Also in this respect, the CompactVario system offers considerable advantages, as due to the favourable geometry only considerably lesser loads are required than in case of single row arrangements.



Technical data

Material	Fastening elements are selected acc. to the roof covering, the stability of the fastening elements mainly depends on the purlin distances. Bottom beams (aluminium) are determined acc. to the span width (DN0 to DN2.5). Support attachments are fixed to the bottom beams in a freely shiftable manner.																											
Planning aid	Configuration and structural dimensioning with the AutoCalculator Easy and the Schletter Configurator.																											
Statics	Structural analysis in accordance with current national standards (in Germany DIN EN 1991, EC1, EC3). Each plant can be structurally analyzed by means of individual parameters (local roof height, wind loads, snow loads); a special structural analysis program helps choosing the most cost-efficient profile and the most suitable connection to the substructure and optionally determines the power vectors at the points of load application for the integration in the building statics.																											
Bottom beam examples	<div style="display: flex; justify-content: space-around; align-items: flex-start;"> <table border="1" style="margin-right: 20px;"> <thead> <tr><th>DN0</th><th>w</th><th>h</th></tr> </thead> <tbody> <tr><td>mm</td><td>40</td><td>40</td></tr> <tr><td>inches</td><td>1.57</td><td>1.57</td></tr> </tbody> </table> <table border="1" style="margin-right: 20px;"> <thead> <tr><th>DN1</th><th>w</th><th>h</th></tr> </thead> <tbody> <tr><td>mm</td><td>40</td><td>80</td></tr> <tr><td>inches</td><td>1.57</td><td>3.15</td></tr> </tbody> </table> <table border="1"> <thead> <tr><th>DN2,5</th><th>w</th><th>h</th></tr> </thead> <tbody> <tr><td>mm</td><td>50</td><td>110</td></tr> <tr><td>inches</td><td>1.97</td><td>4.33</td></tr> </tbody> </table> </div> <p>The lower side of the mounting beam is designed as a shift groove for bolted connections M10. There is a click groove at the upper side. A square nut M10 is clicked into this click groove by means of the Klick component, then the supports or other connection elements are screwed on this square nut.</p>	DN0	w	h	mm	40	40	inches	1.57	1.57	DN1	w	h	mm	40	80	inches	1.57	3.15	DN2,5	w	h	mm	50	110	inches	1.97	4.33
DN0	w	h																										
mm	40	40																										
inches	1.57	1.57																										
DN1	w	h																										
mm	40	80																										
inches	1.57	3.15																										
DN2,5	w	h																										
mm	50	110																										
inches	1.97	4.33																										
Connector examples	<div style="display: flex; justify-content: space-around; align-items: center;"> </div> <p>Double corrugated roof kit FixE FixT wood/steel Sheet metal clamps Roof hooks etc.</p> <p style="text-align: center;">Double corrugated roof kit FixE steel FixT wood FixT steel</p> <p>Please also pay regard to our product sheets FixT, CompactVario, sheet metal clamps overview.</p>																											

Further information at: www.schletter.eu