
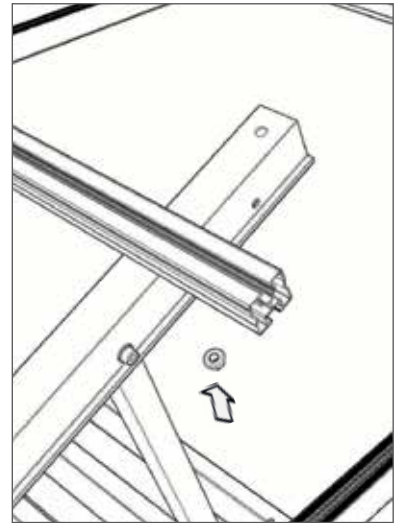
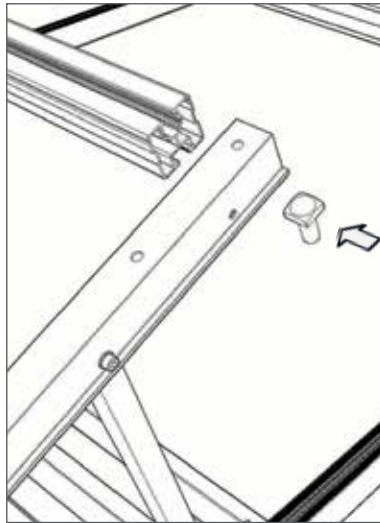


7 Mount module-bearing rail


- Feed square-head screws M10x25 into lower channel of the module bearing rail and put the screw threads into holes of the supports.
- Secure with flange nuts M10.

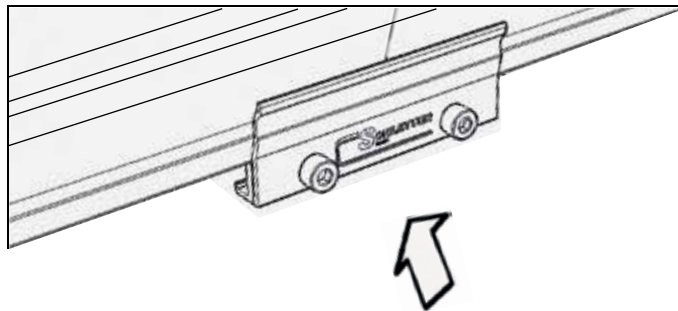
 The upper hole is used only in a linear arrangement. Please observe data in the calculation documentation.



8 Extend module-bearing rails


- Position next rail.
- Mount the E connector from below.
- Tighten pre-assembled screws.

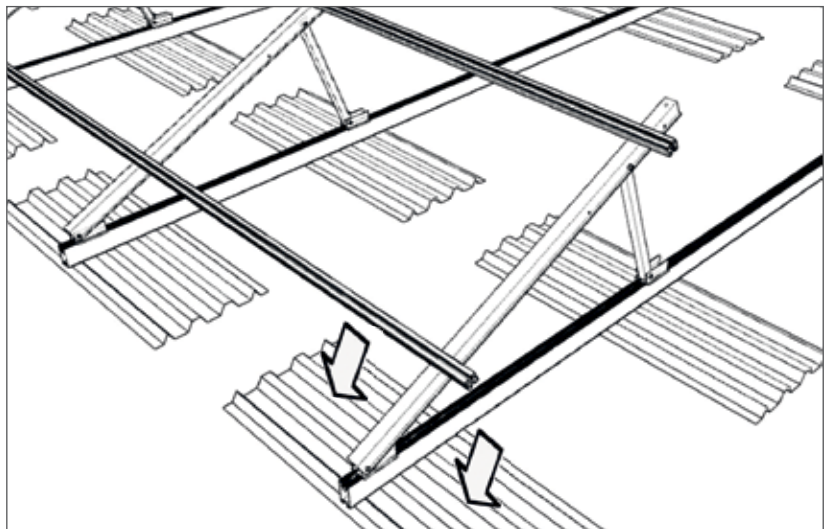
 Please ensure that sufficient space is left at rail joints for the connector.



9 Ballast

- Fill ballast trays to comply with the structural analysis for superimposed loads.
- You will receive the structural analysis for superimposed loads together with the plant projecting directly from us or directly in the download area on our website: www.schletter.eu

 Please note: The distributed load must not exceed the residual load-bearing capacity of the roof!



⑩ Module mounting

- Position the first module to the end of the rail.
- Fasten module with two end clamps - in our example: click in the Rapid end clamps and tighten screws (TX-drive T40)
- Position further modules and secure each between the modules with 2 middle clamps.
- Secure the last module of a row with 2 end clamps.

