

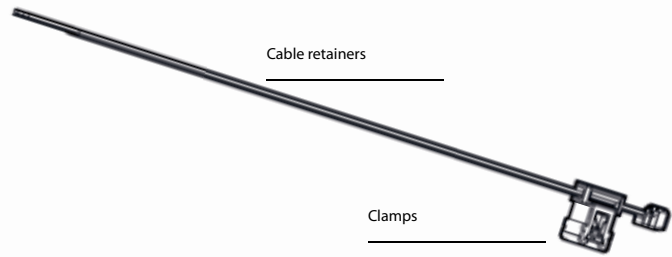
# Cable retainer NT760/99

## Mounting Instruction

Item No.: 149023-001

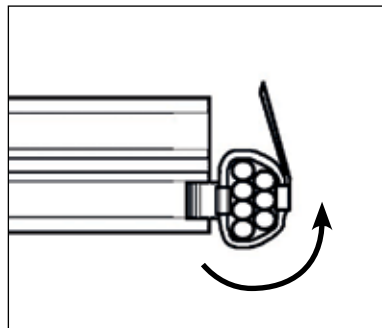
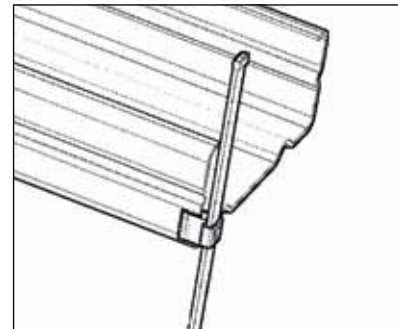
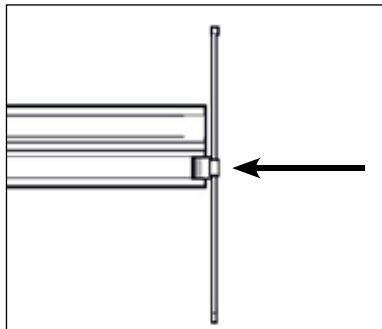
Fasten clamps along the rail edge and run cables through the retainers

Compatible with rails of edge thickness 1-3 mm



### Mount cable clip

- Press clamp with cable retainer onto the rail edge
- Run cable/s through the retainer and close



Compatible with rails: with edge thickness 1-3 mm

Compatible with systems: All

For further information relating to our systems, please refer to our website: [www.schletter.eu](http://www.schletter.eu) and go to the download area.