

## Alu-Tile

### The substitute tile made of aluminium

- Quick and easy mounting
- Particularly suited to areas with high snow loads
- The flexible connection piece facilitates fastening to many types of roof tile
- Direct load transmission into the rafters
- Cost-optimization by reducing the number of fastening points



A rooftop solar plant is generally mounted on roof hooks which are bolted to the rafters beneath the tiles. Parts of the roof tile are cut away for this purpose.

### Product

Alu-Tile can be combined with many tile designs and replaces the complete tile in each case, thus eliminating the need for cutting tiles to shape. The compact design of Alu-Tile enables the transmission of heavy loads into the roof construction through individual roof hooks. Thus, the total number of hooks required can be reduced. Alu-Tile is compatible with many common roof coverings.

Alu-Tile facilitates mounting the rails both in landscape and in portrait orientation. Absolutely abide by the common roof pitch of the roof tiles according to the rules and regulations of the ZVDH (German central association of the roofing trade) resp. of your competent national association, if any. It generally is inadmissible to install if the roof pitch is inferior to 10°.

### Arrangement module-bearing rails

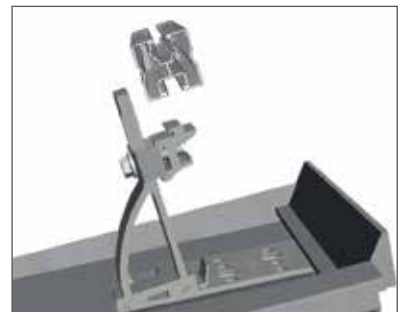


### Special characteristics

Alu-Tile is made of aluminium, ensuring an almost unlimited service-life. The application of Alu-Tile is also useful in preventing hair-cracks or breakages in the roof covering in the event of significant loads such as snow. The Rapid<sup>2+</sup> attachment allows a simple and safe connection to Schletter standard rails.

### Technical Data

|                    |   |
|--------------------|---|
| Material           | Fastening elements, screws/bolts: high-grade (stainless) steel 1.4301<br>Basic material: aluminium<br>Seals/gaskets: EPDM<br>Load support: plastic material |
| Logistical details | <ul style="list-style-type: none"> <li>• Quick and easy mounting</li> <li>• Maximum level of pre-fabrication</li> </ul>                                     |



## Compatible roof tiles

| Comparison list (sorted by tile manufacturer)                           |            |  |
|---|------------|--|
| <b>Braas / Monier</b>   |            | <b>Non-coated aluminium</b>                          |
| Frankfurt pantile (Double Roman) <sup>2</sup>                           | 103003-000 | Alu-Tile sheet metal substitute tile H+V type000 kit |
| Taunus pantile <sup>2</sup>   | 103003-000 | Alu-Tile sheet metal substitute tile H+V type000 kit |
| Harzer pantile <sup>2</sup>   | 103003-000 | Alu-Tile sheet metal substitute tile H+V type000 kit |
| Double S-tile <sup>2</sup>  | 103003-000 | Alu-Tile sheet metal substitute tile H+V type000 kit |
| Topas 11V (batten distance: at least 330 mm!)                           | 103003-009 | Alu-Tile sheet metal substitute tile H+V type009 kit |
| Topas 13V   | 103003-009 | Alu-Tile sheet metal substitute tile H+V type009 kit |
| Tegalit <sup>1</sup>  | 103003-014 | Alu-Tile sheet metal substitute tile H+V type014 kit |
| Harzer pantile 7 (BIG)  | 103003-017 | Alu-Tile sheet metal substitute tile H+V type017 kit |
| Rubin 13V   | 103003-024 | Alu-Tile sheet metal substitute tile H+V type024 kit |
| Hainstädter Rubin 11V   | 103003-026 | Alu-Tile sheet metal substitute tile H+V type026 kit |
| Heisterholzer Rubin 11V   | 103003-026 | Alu-Tile sheet metal substitute tile H+V type026 kit |
| Turmalin <sup>1</sup>   | 103003-028 | Alu-Tile sheet metal substitute tile H+V type028 kit |
| <b>Bramac</b>   |            |  |
| Classic / Donau <sup>2</sup>  | 103003-000 | Alu-Tile sheet metal substitute tile H+V type000 kit |
| <b>Ceda</b>   |            |  |
| Mareno / Asimmetrica <sup>2</sup>                                       | 103003-000 | Alu-Tile sheet metal substitute tile H+V type000 kit |
| <b>Creaton</b>  |            |  |
| Göteborg / Heidelberg <sup>2</sup>                                      | 103003-000 | Alu-Tile sheet metal substitute tile H+V type000 kit |
| Rustico interlocking tile   | 103003-001 | Alu-Tile sheet metal substitute tile H+V type001 kit |
| Domino  | 103003-003 | Alu-Tile sheet metal substitute tile H+V type003 kit |
| MZ3   | 103003-005 | Alu-Tile sheet metal substitute tile H+V type005 kit |
| Gratus  | 103003-007 | Alu-Tile sheet metal substitute tile H+V type007 kit |
| Ratio   | 103003-009 | Alu-Tile sheet metal substitute tile H+V type009 kit |
| Magnum <sup>1</sup>   | 103003-016 | Alu-Tile sheet metal substitute tile H+V type016 kit |
| Rapido  | 103003-019 | Alu-Tile sheet metal substitute tile H+V type019 kit |
| Futura / Premion  | 103003-020 | Alu-Tile sheet metal substitute tile H+V type020 kit |
| Harmonie  | 103003-024 | Alu-Tile sheet metal substitute tile H+V type024 kit |
| Maximum   | 103003-025 | Alu-Tile sheet metal substitute tile H+V type025 kit |
| Megaton interlocking tile, double depression interlocking tile          | 103003-034 | Alu-Tile sheet metal substitute tile H+V type034 kit |
| <b>Ergoldsbacher</b>  |            |  |
| Interlocking tile   | 103003-002 | Alu-Tile sheet metal substitute tile H+V type002 kit |
| Large interlocking tile   | 103003-003 | Alu-Tile sheet metal substitute tile H+V type003 kit |
| Erlus E58 / S   | 103003-004 | Alu-Tile sheet metal substitute tile H+V type004 kit |
| Erlus large interlocking tile XXL                                       | 103003-006 | Alu-Tile sheet metal substitute tile H+V type006 kit |
| Erlus retro-style pantile XXL   | 103003-006 | Alu-Tile sheet metal substitute tile H+V type006 kit |
| Erlus Karat <sup>1</sup>  | 103003-008 | Alu-Tile sheet metal substitute tile H+V type008 kit |
| Erlus E58 plus <sup>1</sup>   | 103003-013 | Alu-Tile sheet metal substitute tile H+V type013 kit |
| Erlus Linea   | 103003-015 | Alu-Tile sheet metal substitute tile H+V type015 kit |
| Forma   | 103003-022 | Alu-Tile sheet metal substitute tile H+V type022 kit |
| <b>Jungmeier</b>  |            |  |
| Interlocking tile Mondo 15  | 103003-002 | Alu-Tile sheet metal substitute tile H+V type002 kit |
| <b>Koramic</b>  |            |  |
| Migeon Tuile Actua (batten distance: not less than 345mm!) <sup>1</sup> | 103003-023 | Alu-Tile sheet metal substitute tile H+V type023 kit |
| <b>Nelskamp</b>   |            |  |
| S-Tile <sup>2</sup>   | 103003-000 | Alu-Tile sheet metal substitute tile H+V type000 kit |
| Finkenberg Tile   | 103003-010 | Alu-Tile sheet metal substitute tile H+V type010 kit |
| Nibra F7 <sup>1</sup>   | 103003-021 | Alu-Tile sheet metal substitute tile H+V type021 kit |
| <b>Redland</b>  |            |  |
| Stoneworld II   | 103003-030 | Alu-Tile sheet metal substitute tile H+V type030 kit |
| <b>Rupp Keramik</b>   |            |  |
| Rubin   | 103003-020 | Alu-Tile sheet metal substitute tile H+V type020 kit |
| <b>Swiss manufacture - ZZWancor Swiss</b>                               |            |  |
| Flat interlocking tile Jura 13  | 103003-009 | Alu-Tile sheet metal substitute tile H+V type009 kit |
| Züricher Ziegelei Istigh. 290   | 103003-009 | Alu-Tile sheet metal substitute tile H+V type009 kit |
| Flat interlocking tile Fama   | 103003-009 | Alu-Tile sheet metal substitute tile H+V type009 kit |
| Pantile Pada 13   | 103003-011 | Alu-Tile sheet metal substitute tile H+V type011 kit |
| <b>Swiss manufacture - Istighofener Swiss</b>                           |            |  |
| Double interlock 425 x 250 mm   | 103003-012 | Alu-Tile sheet metal substitute tile H+V type012 kit |
| <b>Tejas Borja</b>  |            |  |
| TB-12   | 103003-029 | Alu-Tile sheet metal substitute tile H+V type029 kit |
| <b>Tondach</b>  |            |  |
| SULM sliding tile   | 103003-018 | Alu-Tile sheet metal substitute tile H+V type018 kit |
| Biberfalz (extruded interlocking tile)                                  | 103003-031 | Alu-Tile sheet metal substitute tile H+V type031 kit |
| Mediteran Plus  | 103003-033 | Alu-Tile sheet metal substitute tile H+V type033 kit |

<sup>1</sup> The tiles must be slightly adapted! Please refer to our supplementary documents to the mounting instruction.

<sup>2</sup> If, in case of low batten distance, the roof hook is mounted exactly under a tile lug, this lug must be slightly adapted, as otherwise the tile lying on top will not cover the roof properly.

Further available Alu-Tile sheet metal substitute tile designs that are not part of our range of products yet can be manufactured starting from a minimum quantity of 200 items with a delivery time of approx. 3 weeks, provided that there are suitable sample tiles and subject to technical feasibility.

Further information at [www.schletter-group.com](http://www.schletter-group.com).



**SCHLETTTER GMBH**

Alustraße 1  
83527 Kirchdorf  
GERMANY

**SCHLETTTER (Shanghai)  
Solar Technology Co., Ltd**

677 Beihe Gong Road  
Jiading, Shanghai  
201807 PR CHINA

**SCHLETTTER Inc.**

1001 Commerce Center Drive  
Shelby, North Carolina 28150  
USA

[www.schletter-group.com](http://www.schletter-group.com)